



Installation Instructions Jet Kit

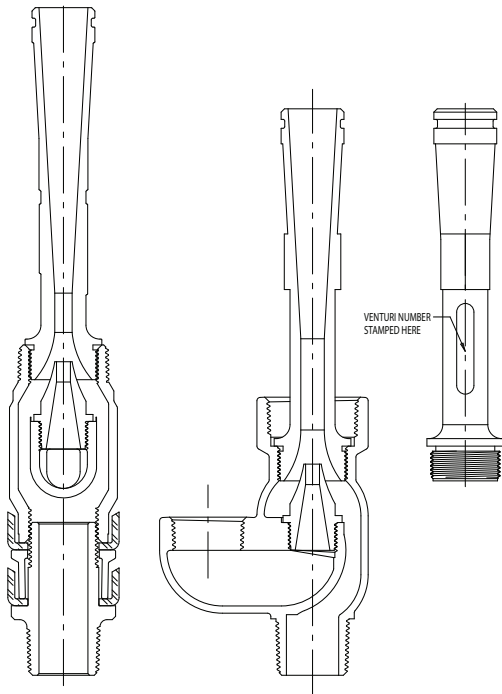


Figure 1

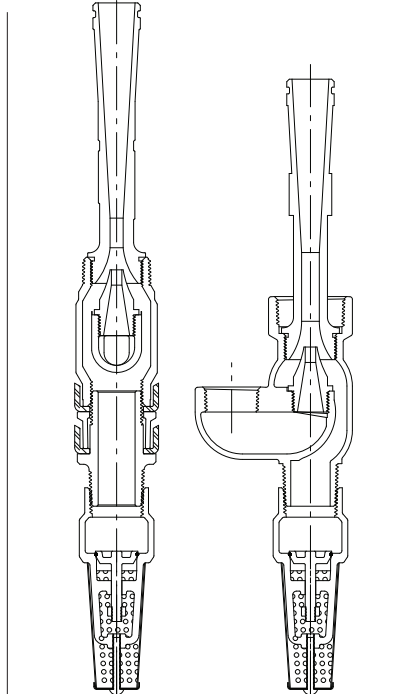


Figure 2

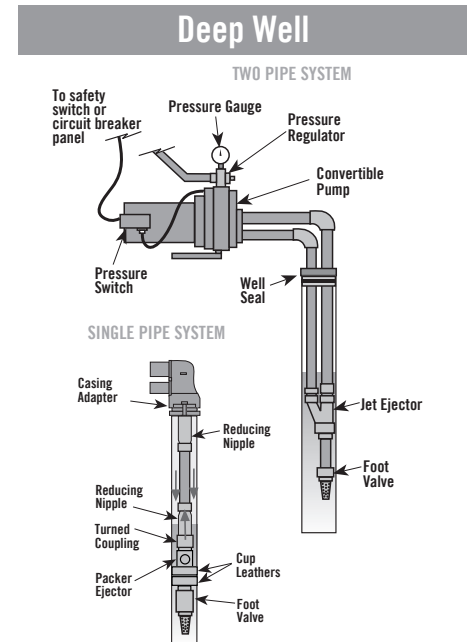


Figure 3

Jet Installation Instructions

1. After determining your model pump select the proper “Jet Number” using the pump performance chart marked TABLE 1. For example Model 8251 pump with a well depth of 50 feet, jet number 7508JP will produce more water than jet number 7509JP
2. Use TABLE 2 to select the correct nozzle and venturi to create your selected jet number. Note that the jet is pre-assembled for shallower depth to water.
3. Install the proper nozzle and venturi in the jet body. Refer to Figures 1 and 2 for proper installation.
4. Install the foot valve. Refer to Figure 3.
5. Install the jet in the well using either flexible poly pipe or rigid PVC pipe. Lower the jet into the well 10 to 20 feet below water level but at least 5 feet from the bottom of the well.
6. Install a sanitary well seal at the top of the well. For installations using poly pipe, add poly pipe adapters and short nipples to the pipe as it enters the well seal to prevent collapse of the pipe (Figure 3).
7. Connect the 1 1/4” pipe to the 1 1/4” opening on the pump. Next connect the 1” pipe to the 1” opening on the pump.
8. Fill the pipe and pump with water. Refer to the pump owner’s manual for proper priming and start up instructions.

Cleaning / Replacing Ejector

1. Remove ejector from the well.
2. Remove venturi by unscrewing it (turn counter-clockwise)
3. Remove nozzle by unscrewing it with a 5/8” deep well socket wrench.
4. Clean nozzle and venturi carefully with an icepick. BE SURE you do not enlarge the holes.
5. Replace nozzle and venturi by turning in clockwise until snug. Do not overtighten.



Installation Instructions

Jet Kit

Table 1 - 8200/8600 Series - Convertible | Deep Well Performance at 20 PSI | For 20-40 PSI Pressure Switch

Model No.	HP	Well Casing Size	Jet Ejector*	Deep Well Capabilities in GPM - At Depth to Water in Feet										
				30	40	50	60	70	80	90	100	110	120	
8230/8630 8231/8631	1/3	4"	7502-JP	9.8	8.0	6.2								
		4"	7503-JP		6.9	5.7	4.3	3.3						
		2"	7733-JP	8.8	7.2	5.6								
		2"	7734-JP		6.2	5.1	3.8	3.0						
8250/8650 8251/8651	1/2	4"	7508-JP	12.7	10.5	8.8								
		4"	7509-JP		9.3	8.1	6.3	5.0	4.0					
		2"	7735-JP	11.3	9.4	7.9								
		2"	7736-JP		8.3	7.3	5.7	4.6						
8270/8670 8271/8671	3/4	4"	7901-JP	16.1	13.0	9.6								
		4"	7906-JP			9.9	8.4	6.5	5.1					
		4"	7907-JP						4.7	3.9	3.3	2.5		
		2"	7808-JP	14.3	11.6	8.5								
		2"	7812-JP			8.9	7.5	5.8	4.6					
		2"	7813-JP						4.2	3.6	2.9	2.2		
8210/8610 8211/8611	1	4"	7901-JP	16.8	14.3	11.9								
		4"	7902-JP			11.8	9.9	8.1	6.3					
		4"	7903-JP						5.5	4.8	4.3	3.5	2.8	
		2"	7808-JP	15.0	12.9	10.7								
		2"	7809-JP			10.4	8.8	7.2	5.6					
		2"	7810-JP						4.8	4.2	3.8	3.1	2.6	

*Jet Ejectors must be ordered separately

Table 2 - Deep Well Jet Package

Model No.	Jet Package	Venturi No.	Nozzle No.	Model No.	Jet Package	Venturi No.	Nozzle No.
7502/3JP	7502-JP	6413-203	6128-201	7906/7JP	7906-JP	6413-253	6413-246
	7503-JP	6413-204	6128-201		7907-JP	6413-254	6413-246
7504/5JP	7504-JP	6413-204	5999-911	7812/3JP	7812-JP	6413-253	6413-246
	7505-JP	6421-216	5999-912		7813-JP	6413-254	6413-246
7508/9JP	7508-JP	6414-207	6128-201	7902/3JP	7902-JP	6413-249	6413-246
	7509-JP	6418-208	6128-201		7903-JP	6413-248	6413-246
7733/4JP	7733-JP	6413-203	6128-201	7809/10JP	7809-JP	6413-249	6413-246
	7734-JP	6413-204	6128-201		7810-JP	6413-248	6413-246
7735/6JP	7735-JP	6414-207	6128-201	7808JP	7808-JP	6413-250	6413-246
	7736-JP	6414-208	6128-201	7901JP	7901-JP	6413-250	6413-246